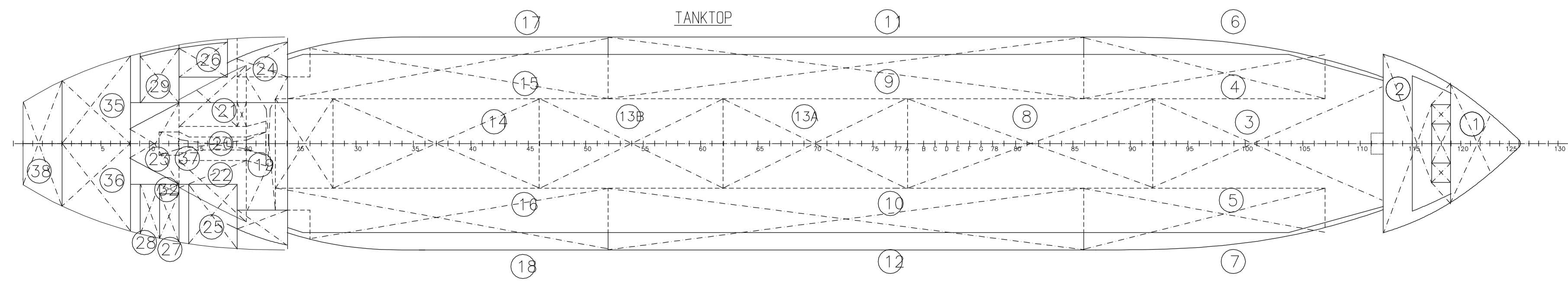
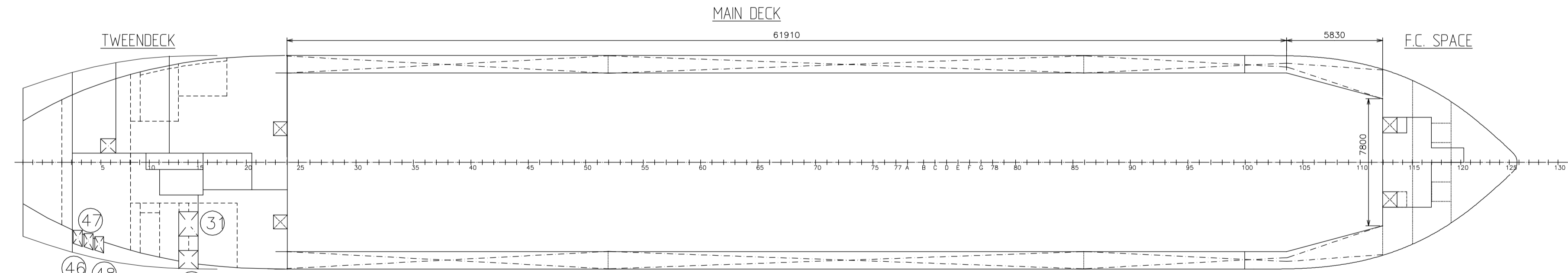
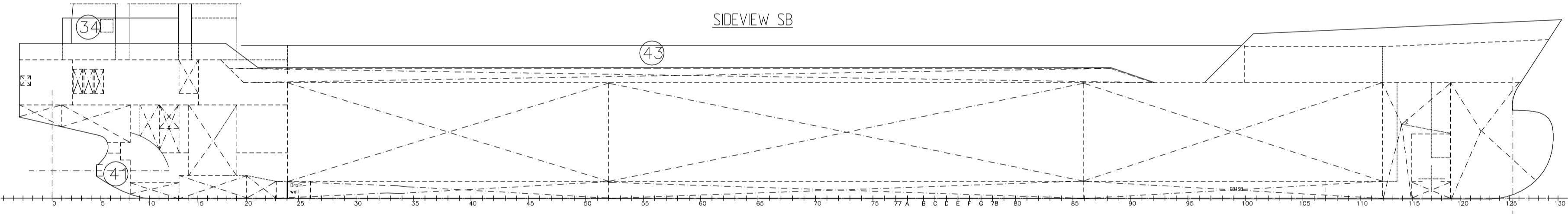
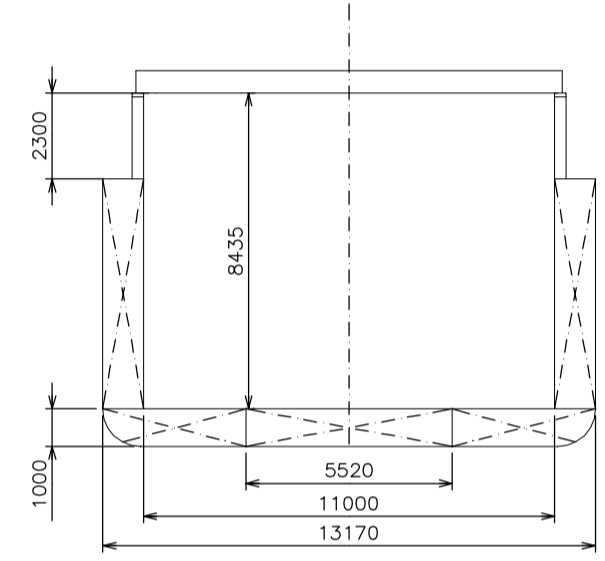


Deadweight table										Combi Freighter												
IN SALT WATER S.W. = 1.025										IN FRESH WATER S.W. = 1.000												
Trim	Fwd		Mid		Aft		Deadweight		Displ		Trim	Fwd		Mid		Aft		Deadweight		Displ		
0.000 m	ton	m	ton	m	ton	m	ton	m	ton	m	0.000 m	ton	m	ton	m	ton	m	ton	m	ton	m	
Trop. fresh	0.850	11.59	76.51	6646.64	5159.38	6.320	4.461	5156.87	6644.13	11.34	0.709	0.850	11.59	76.51	6646.64	5159.38	6.320	4.461	5156.87	6644.13	11.34	0.709
Tropical	0.979	11.55	75.31	6493.42	5010.16	6.191	4.332	5010.83	6498.10	11.31	0.838	0.979	11.55	75.31	6493.42	5010.16	6.191	4.332	5010.83	6498.10	11.31	0.838
Summer	1.108	11.52	75.28	6348.04	4861.38	6.082	4.284	4862.98	6348.04	11.27	0.911	1.108	11.52	75.28	6348.04	4861.38	6.082	4.284	4862.98	6348.04	11.27	0.911
Winter	1.158	11.50	75.03	6291.70	4803.84	6.012	4.248	4805.32	6291.70	11.24	0.984	1.158	11.50	75.03	6291.70	4803.84	6.012	4.248	4805.32	6291.70	11.24	0.984

HOLD AND TANK CAPACITIES									
Dry cargo spaces									
Compartment	Frame nrs.	Capacity		V.C.G. m	LCG m				
		m ³	cuft						
Hold	24-112	6196	218781	5.22	47.97				
Tanks									
Compartment	Frame nrs.	Capacity		V.C.G. m	Vert. Mom. tonm	LCG m	Long. Mom. tonm	F.S.M. tonm	
		m ³	ton						
Gas oil tanks S.G.=0.850 t/m ³									
25 Sidetank E.R. SB	14-19	33.06	28.10	3.94	110.80	10.02	281.47	14.16	
31 Daytank	13-15	3.69	3.14	7.44	23.31	8.40	26.34	0.34	
Total		36.75	31.23	4.29	134.11	9.85	307.81		
Heavy Fuel oil tanks S.G.=0.950 t/m ³									
15a DB tank 3C-1 CL	62-A	62.08	58.98	0.50	29.49	47.77	2781.90	157.64	
15b DB tank 3C-2 CL	46-62	62.24	59.12	0.50	29.62	35.82	2188.07	157.64	
14 DB tank 4 LL	28-46	69.77	66.28	0.50	33.21	23.75	1573.85	177.34	
26 Settling PS	20-24	7.62	7.23	4.62	33.45	9.58	69.28	1.61	
29 Daytank PS	13-18	7.84	7.45	4.79	35.66	6.76	50.36	4.96	
Total		209.54	199.06	0.81	161.43	33.12	6593.45		
Luboil tanks S.G.=1.025 t/m ³									
20 DB tank CL L.O. circ.	11-22	4.46	4.10	0.77	3.13	10.12	41.48	0.48	
27 Sidetank SB L.O. gear	11-13	5.46	5.02	4.65	23.4	7.24	36.38	2.28	
28 Sidetank SB L.O. main	9-11	4.75	4.37	4.93	21.5	6.03	26.36	3.28	
32 Sidetank SB L.O. shaft	11-13	1.21	1.11	4.85	5.4	7.20	8.03	0.02	
Total		15.88	14.61	3.66	53.5	7.70	112.24		
Potable water tanks S.G.=1.000 t/m ³									
35 Aftpeak PS F.W.	1-8	20.24	20.24	5.01	101.28	3.00	60.71	33.46	
36 Aftpeak SB F.W.	1-8	21.20	21.20	5.02	106.48	3.04	64.47	36.73	
41 Stern tank LL Freshwater	1-8	3.15	3.15	1.64	5.14	4.13	13.00	0.47	
Total		44.58	44.58	4.78	212.91	3.10	138.17		
Waterballast tanks S.G.=1.025 t/m ³									
1 Forepeak CL	119-129	115.14	118.02	3.72	439.03	88.43	10435.90	40.44	
2 Deep tank CL	112-119	140.40	143.91	4.32	620.95	84.05	12035.35	276.99	
3 DB tank 1 CL	92-112	86.58	88.74	0.51	45.08	75.67	6714.71	371.93	
4 DB tank 1 PS	86-107	46.18	47.33	0.52	24.80	70.60	3341.93	34.03	
5 DB tank 1 SB	86-107	46.18	47.33	0.52	24.80	70.60	3341.93	34.03	
6 Sidetank 1 PS	86-112	111.40	114.18	4.29	489.49	72.70	8300.49	6.88	
7 Sidetank 1 SB	86-112	111.40	114.18	4.29	489.49	72.70	8300.49	6.88	
8 DB tank 2 CL	A-92	83.07	85.14	0.50	42.57	60.45	5164.81	210.92	
9 DB tank 2 PS	A-92	104.75	107.37	0.52	55.40	49.09	5270.78	134.11	
10 DB tank 2 SB	52-86	104.75	107.37	0.52	55.40	49.09	5270.78	134.11	
11 Sidetank 2 PS	52-86	194.22	199.07	4.08	811.22	49.09	9772.47	3.31	
12 Sidetank 2 SB	52-86	194.22	199.07	4.08	811.22	49.09	9772.47	3.31	
15 DB tank 4 PS	24-52	66.30	67.96	0.52	35.27	24.99	1698.06	84.55	
16 DB tank 4 SB	23-52	66.30	67.96	0.52	35.27	24.99	1698.06	84.55	
17 Sidetank 4 PS	24-52	128.92	132.14	4.12	543.90	25.61	3251.75	2.30	
18 Sidetank 4 SB	24-52	128.92	132.14	4.12	543.90	25.61	3251.75	2.30	
Total		1727.78	1770.98	2.86	5067.32	55.14	97650.11		
Various tanks									
19 DB tank E.R. Fuel Oil	20-24	14.40	12.24	0.61	7.49	13.00	69.17	91.03	
21 DB tank E.R. PS Dirty Oil	13-20	11.22	9.53	0.79	7.48	10.07	96.03	7.99	
22 DB tank E.R. SB Sewage	13-20	12.39	11.40	0.78	8.83	10.23	116.59	8.63	
23 DB tank E.R. LL bige col	8-13	4.13	4.13	0.50	2.08	6.46	26.67	10.21	
24 DB tank E.R. PS Sludge	19-24	16.22	14.92	1.90	28.28	13.16	796.33	9.87	
34 Daily service tank emerg	55-65	0.56	0.47	10.80	5.12	3.60	1.71	0.26	
45 Coolingwater drain DB PS	19-20	0.97	0.97	0.69	0.67	11.70	11.29	0.10	

CROSS SECTION



PRINCIPAL PARTICULARS

Length over all	94.99 M
Length between perpend.	90.25 M
Breadth moulded	13.17 M
Depth to maindeck	7.15 M
Draught max. summer u.s.k.	6.191 M

CLASSIFICATION
 Class L.R.S. :+100A1 strengthened for heavy cargoes
 Containercargoes in hold and on hatchcovers
 Ice class 1C
 (Finnish-Swedish ice class rules 1985)
 With the descriptive note in col.6 of the registerbook 'Pt.HT.Steel'

TONNAGE

Gross	2998 GT
Nett	1709 NT

DEADWEIGHT

Summer freeboard	5010.16 T
------------------	-----------

DAMEN SHIPYARDS HOOGEZAND

Scheepswervenweg 13
 PO Box 79 9600AB Hoogezand, HOLLAND
 Tel: 0598-380022 Fax: 0598-394865

DATE: - -
 READY FOR PRODUCTION
 REVISION: ---

SCALE 1:200 DWNER
 DRAWN BY JH DATE 28-08-00
 YARD No. 0768

APPROVED
 TITLE
 CAPACITY PLAN MICHELLE

ALTERATION
 No. 0768 830 - 001

BASE-DRAW	
ATTACHED REF. DRW's	